



وطن الكتريك للصناعات الكهربائية



<https://watanelectric.com>
info@watanelectric.com

العنوان: العاشر من رمضان
المنطقة الصناعية 6c القطعة رقم 42
عنوان المعرض:
الاردنية المشروع الاستثماري

MAIN DISTRIBUTION BOX

لوحة توزيع رئيسية



Carrier angle

Thickness of 1.8 mm.
Galvanised.



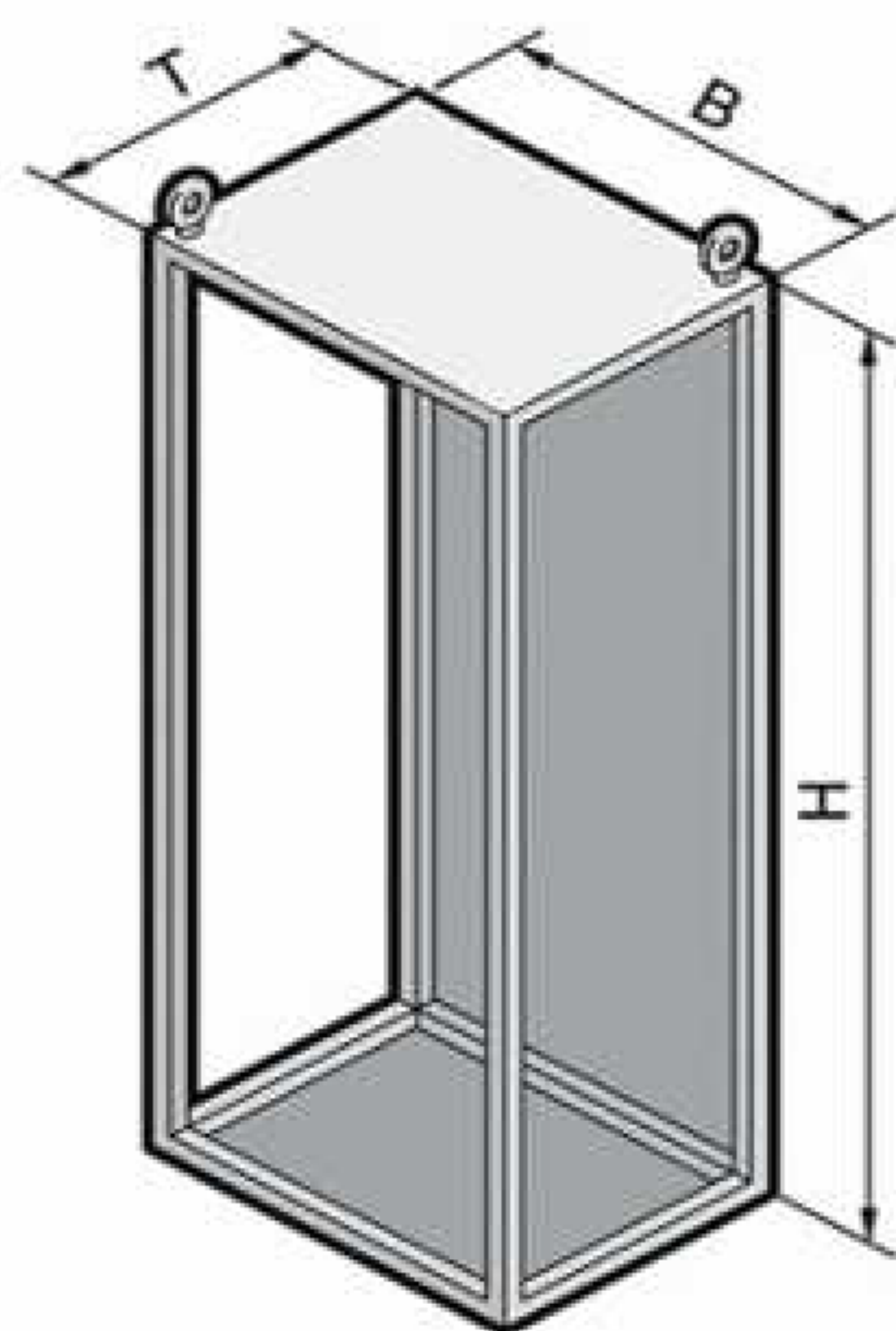
Metal angle

Thickness of 3 mm.
To install the model length, offer a casual
and casual depth.



Floor Of Panel

Thickness of 1.25 mm.



IS Cabinets, (with plinth)

	1500 mm			1700 mm			1900 mm			2100 mm		
Height (H) in mm	1500	1500	1500	1700	1700	1700	1900	1900	1900	2100	2100	2100
Width (B) in mm	600	800	1000	600	800	1000	600	800	1000	600	800	1000
Depth (T) in mm	500	500	500	500	500	500	500	500	500	500	500	500
Model No. 1	MDB-1500 600 500			MDB-1700 600 500			MDB-1900 600 500			MDB-2100 600 500		
Model No. 2	MDB-1500 800 500			MDB-1700 800 500			MDB-1900 800 500			MDB-2100 800 500		
Model No. 3	MDB-1500 1000 500			MDB-1700 1000 500			MDB-1900 1000 500			MDB-2100 1000 500		

The increase of base 100 mm.

We have all sizes by request.



MAIN DISTRIBUTION BOX

لوحة توزيع رئيسية



Lifting eyebolts

They allow movement of cabled panel boards. They are made of steel plate subjected to a white passivated galvanising treatment.

Description

Steel M12 eyebolts (2off).



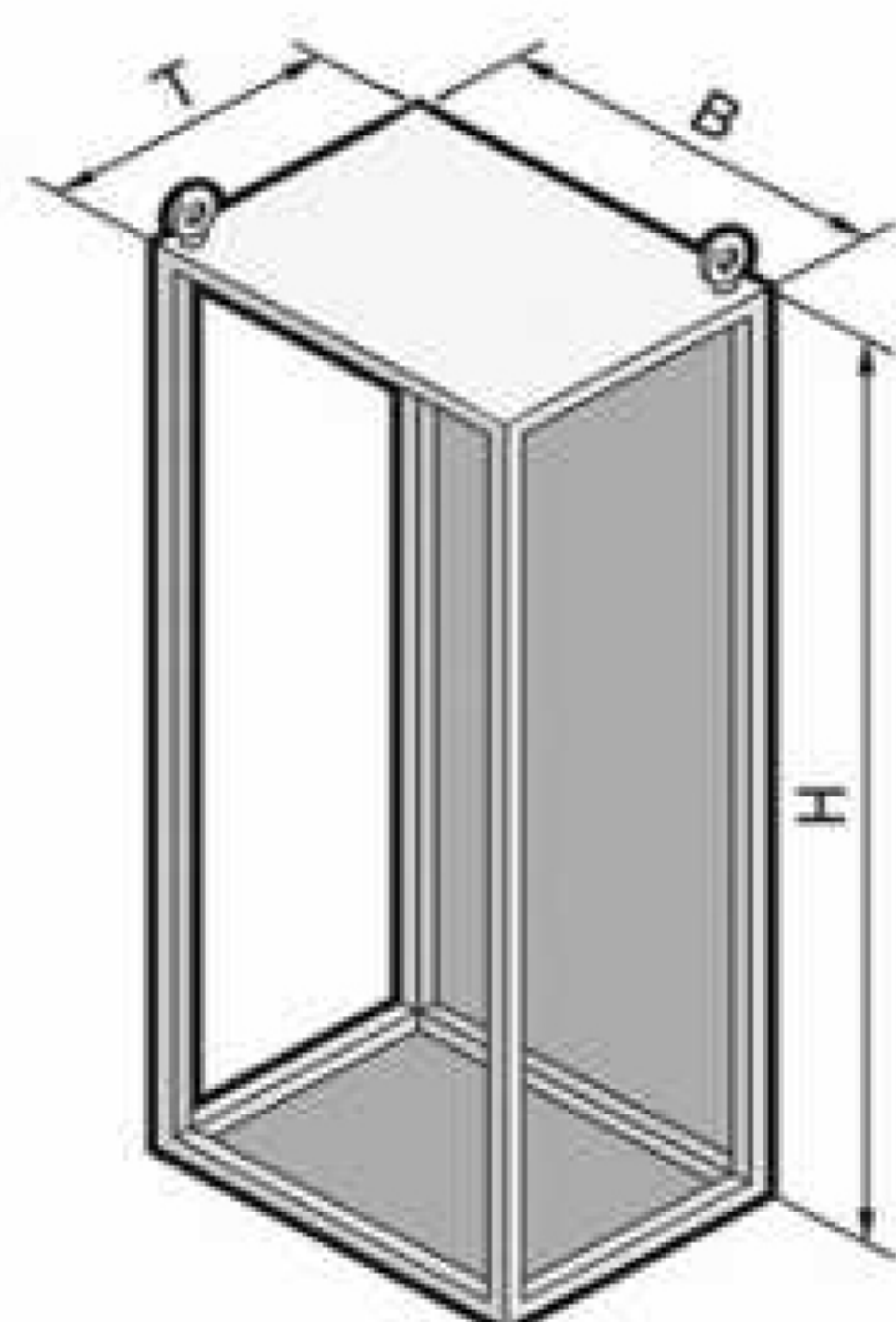
Trim panels

For height trim at the top and bottom.



Base of panel

Thickness of 1.5 mm.
Height 100 mm.



IS Cabinets, (with plinth)

	1500 mm			1700 mm			1900 mm			2100 mm		
Height (H) in mm	1500	1500	1500	1700	1700	1700	1900	1900	1900	2100	2100	2100
Width (B) in mm	600	800	1000	600	800	1000	600	800	1000	600	800	1000
Depth (T) in mm	500	500	500	500	500	500	500	500	500	500	500	500
Model No.1	MDB-1700 600 500			MDB-1700 600 500			MDB-1900 600 500			MDB-2100 600 500		
Model No.2	MDB-1700 800 500			MDB-1700 800 500			MDB-1900 800 500			MDB-2100 800 500		
Model No.3	MDB-1700 1000 500			MDB-1700 1000 500			MDB-1900 1000 500			MDB-2100 1000 500		

The increase of base 100 mm.

We have all sizes by request.



MAIN DISTRIBUTION BOX

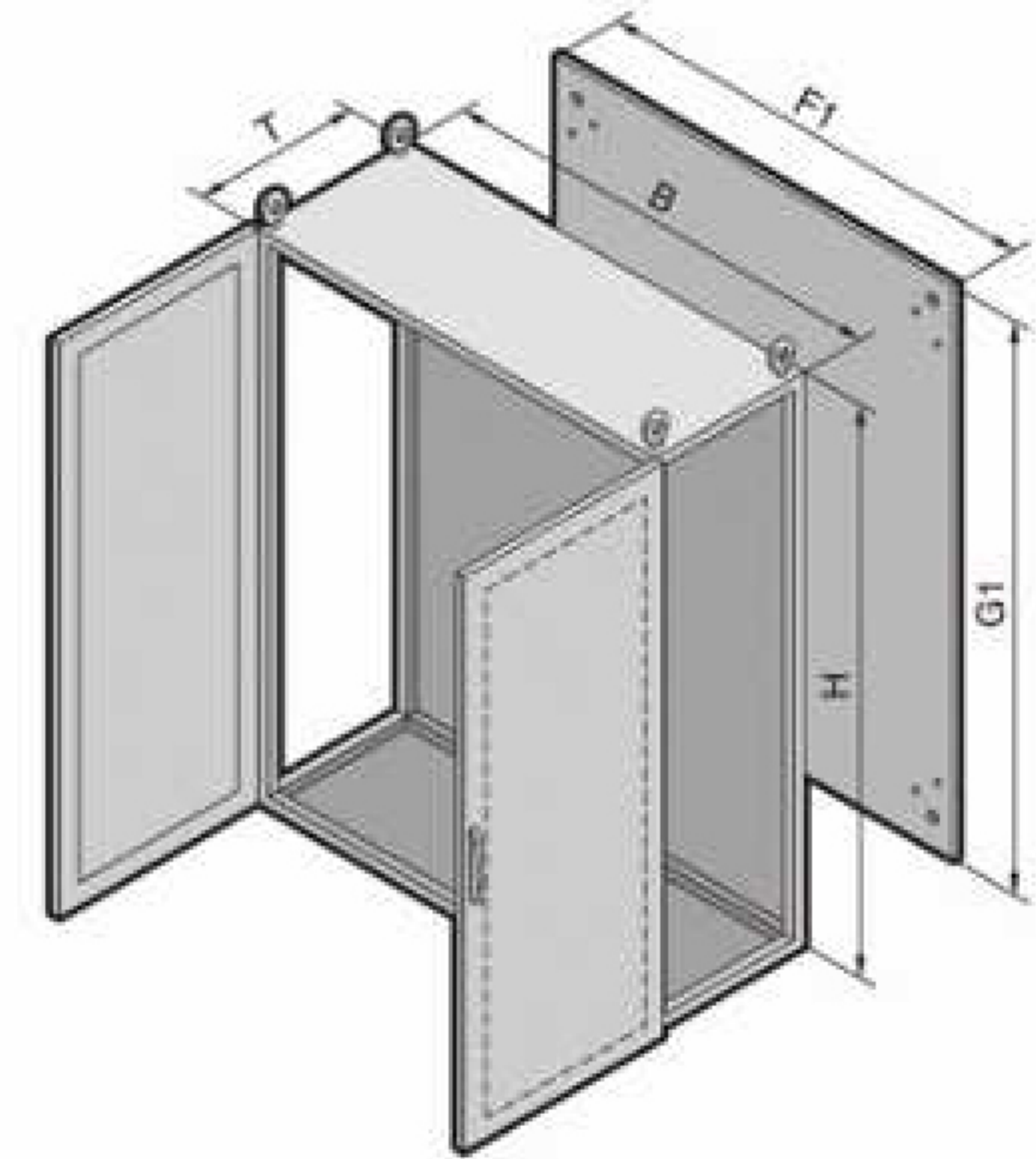
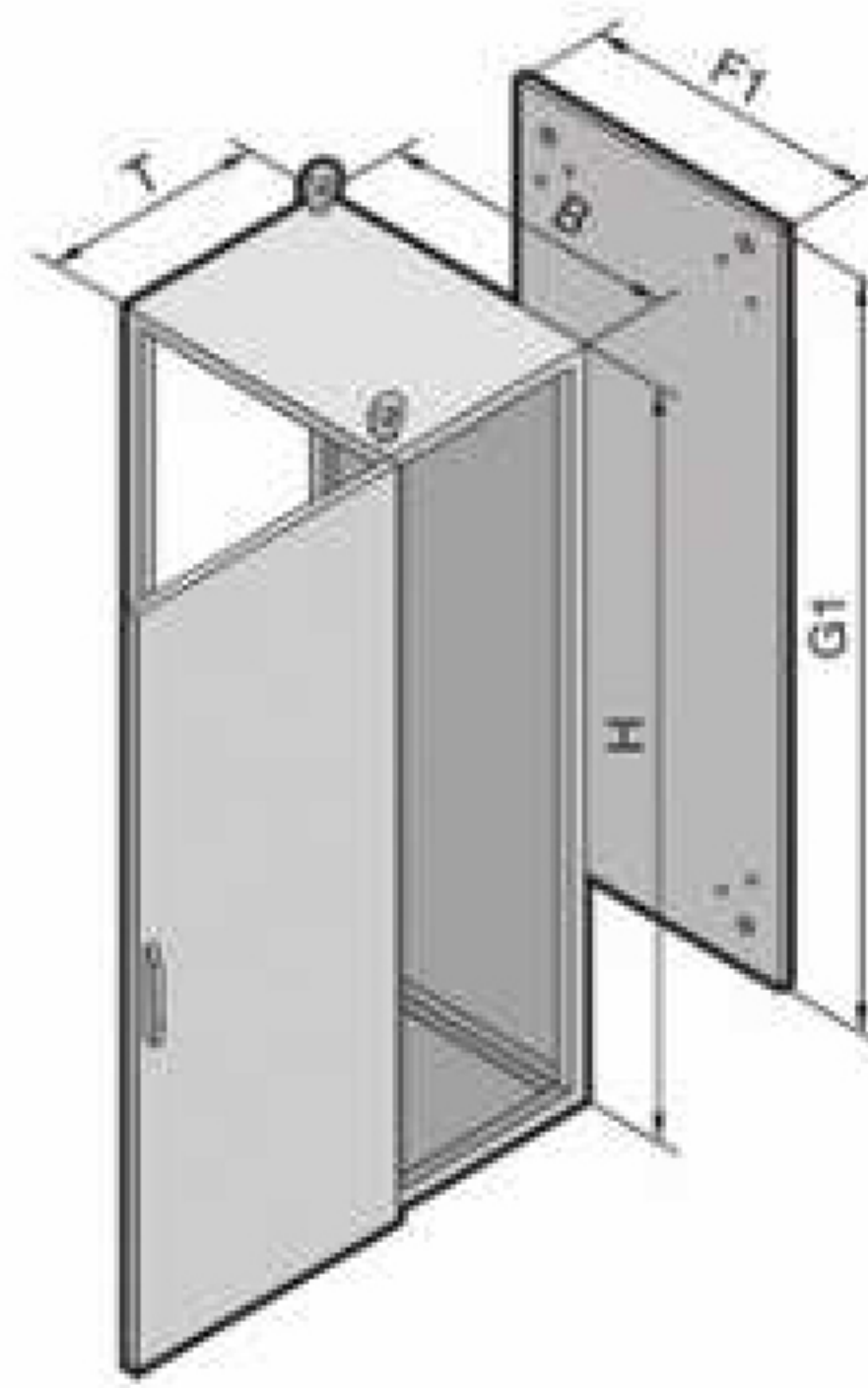
Height: 2000, Depth: 400

لوحة توزيع رئيسية



Material:
Sheet steel
Enclosure frame, roof, rear panel and gland plates: 1.25 mm
Door: 1.25 mm
Mounting plate: 1.25 mm

Surface finish:
Enclosure frame:
Dipcoat-primed
Door, roof and rear panel:
Dipcoat-primed, powder-coated



Mounting plate and gland plates: Zinc-plated.

Supply includes:
Enclosure frame with doors,
mounting plate, gland plates,
rear panel and roof plate.

Width (B) in mm	600	800	1200
Height (H) in mm	2000	2000	2000
Depth (T) in mm	400	400	400
Mounting plate width (F1) in mm	499	699	1099
Mounting plate height (G1) in mm	1896	1896	1896
Model No.	MDB- 600 2000 400	MDB- 800 2000 400	MDB- 1200 2000 400
Door(s)	1	1	2

We have all sizes by request.



OPERATION PANEL

لوحة تشغيل



Central desk switchboard in versions L and LV (with transparent door). The switchboard is removable with the panel on the inclined surface hinged on the top side.





OPERATION PANEL

لوحة تشغيل

Technical characteristics



Steel plated pressure folded structure of 1.25 mm gauge.



Polyurethane foam gaskets applied by a robot with continuous casting on all opening doors.



Support bracket for desk switchboard and upper console panel.



Inner plate 1.25 mm gauge depth adjustable.



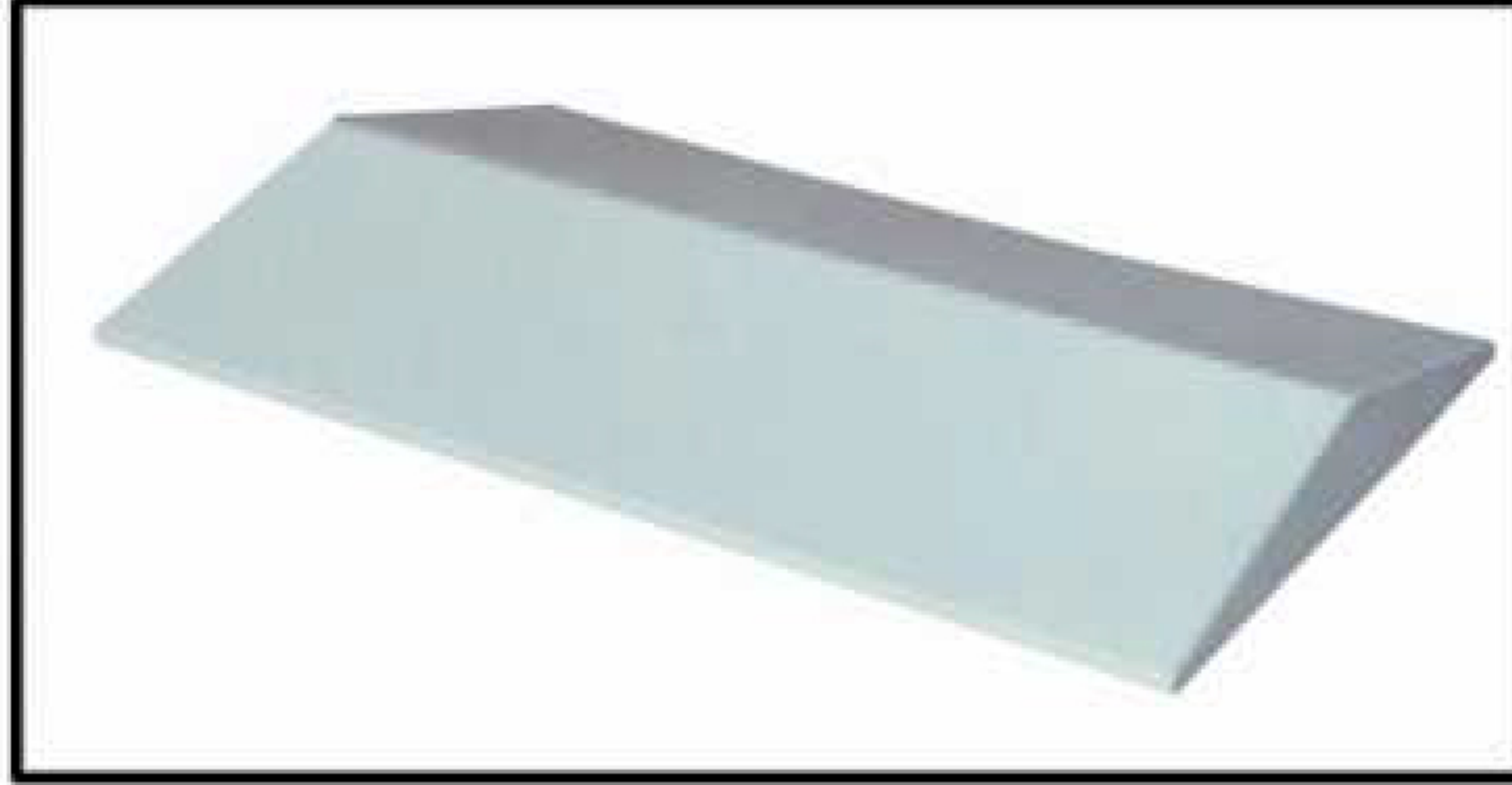


OPERATION PANEL

لوحة تشغيل

Protection top

To improve protection against liquid and sprays of water.
Made of 1.25 mm steel plate painted in orange peel.



Cabinet size	
W (mm)	D (mm)
600	450
800	450
1000	450
1200	450
600	600
800	600
1000	600
1200	600
600	800
800	800
1000	800
1200	800

IS cabinets are available in ten different standard versions. Each one is marked by one or two letters.

OP- V

IS cabinet with front glazed door



OP- L/LV

IS cabinet with desk switchboard
L = Front blind doors
LV = Top front glazed door



OP-cabinet

IS Cabinet with blind door and screwed-on back panel



IS Cabinets, height 1700 mm (without plinth)

Height (mm)	1700	1700	1700	1700	1700	1700	1700	1700
Width (mm)	400	600	800	1000	1200(1)	400	600	800
Depth (mm)	450	450	450	450	450	600	600	600

IS Cabinets, height 1800 mm (with plinth)

Height (mm)	1800	1800	1800	1800	1800	1800	1800	1800
Width (mm)	400	600	800	1000	1200(1)	400	600	800
Depth (mm)	450	450	450	450	450	600	600	600

We have all sizes by request.

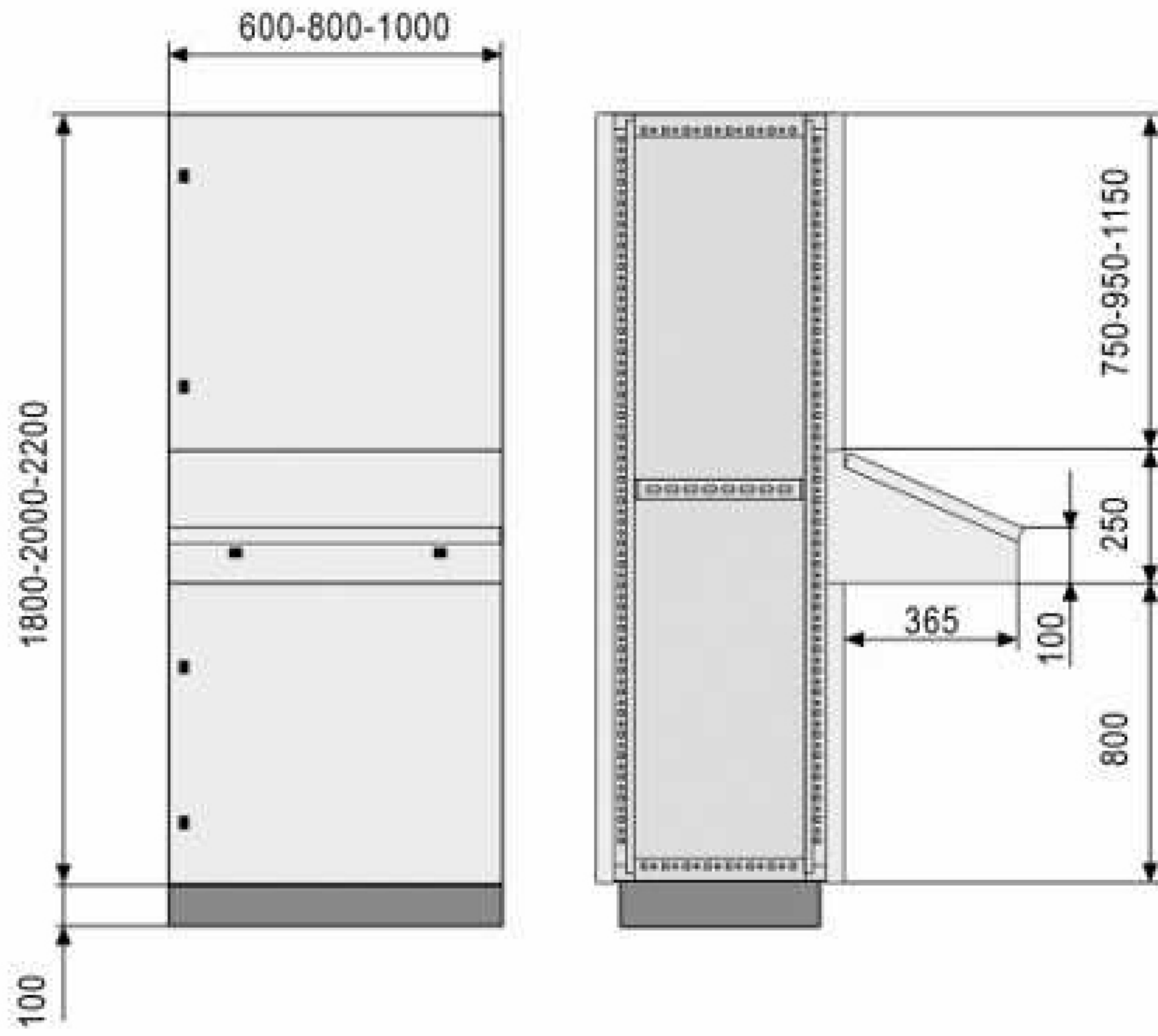


OPERATION PANEL

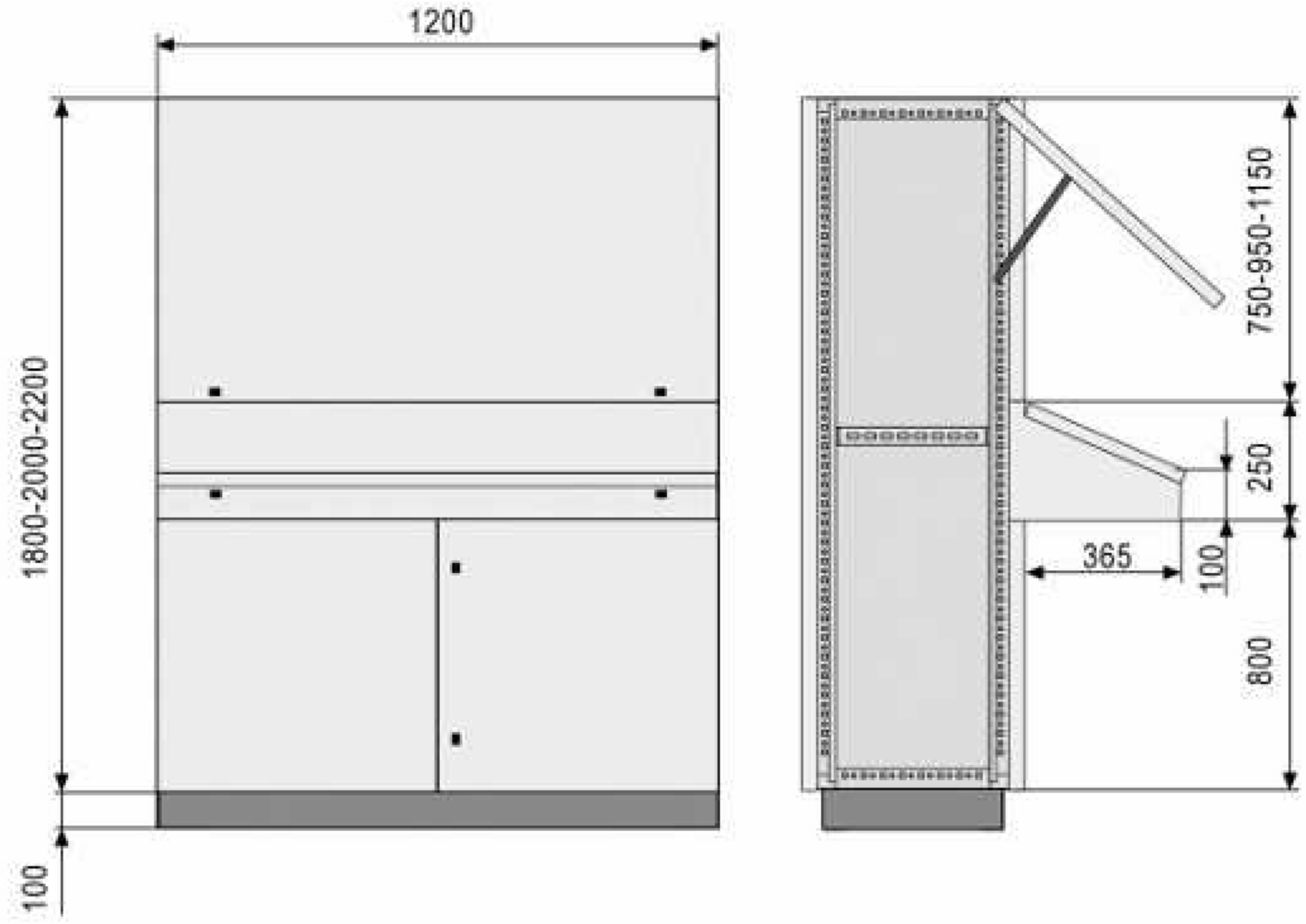
لوحة تشغيل

Overall dimensions IS Cabinets

L version

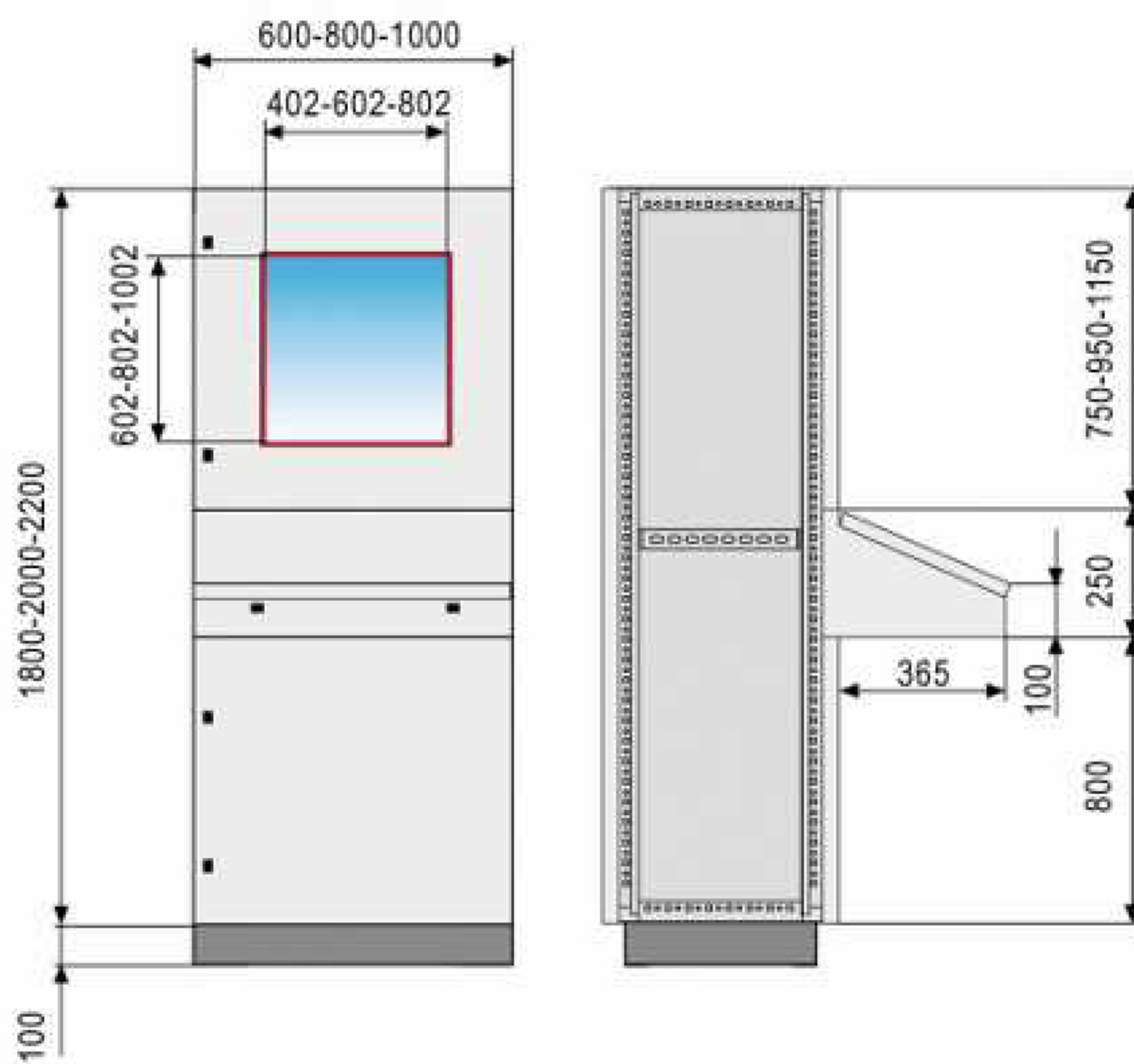


The upper panel is hinged with opening facing upwards and steel strut

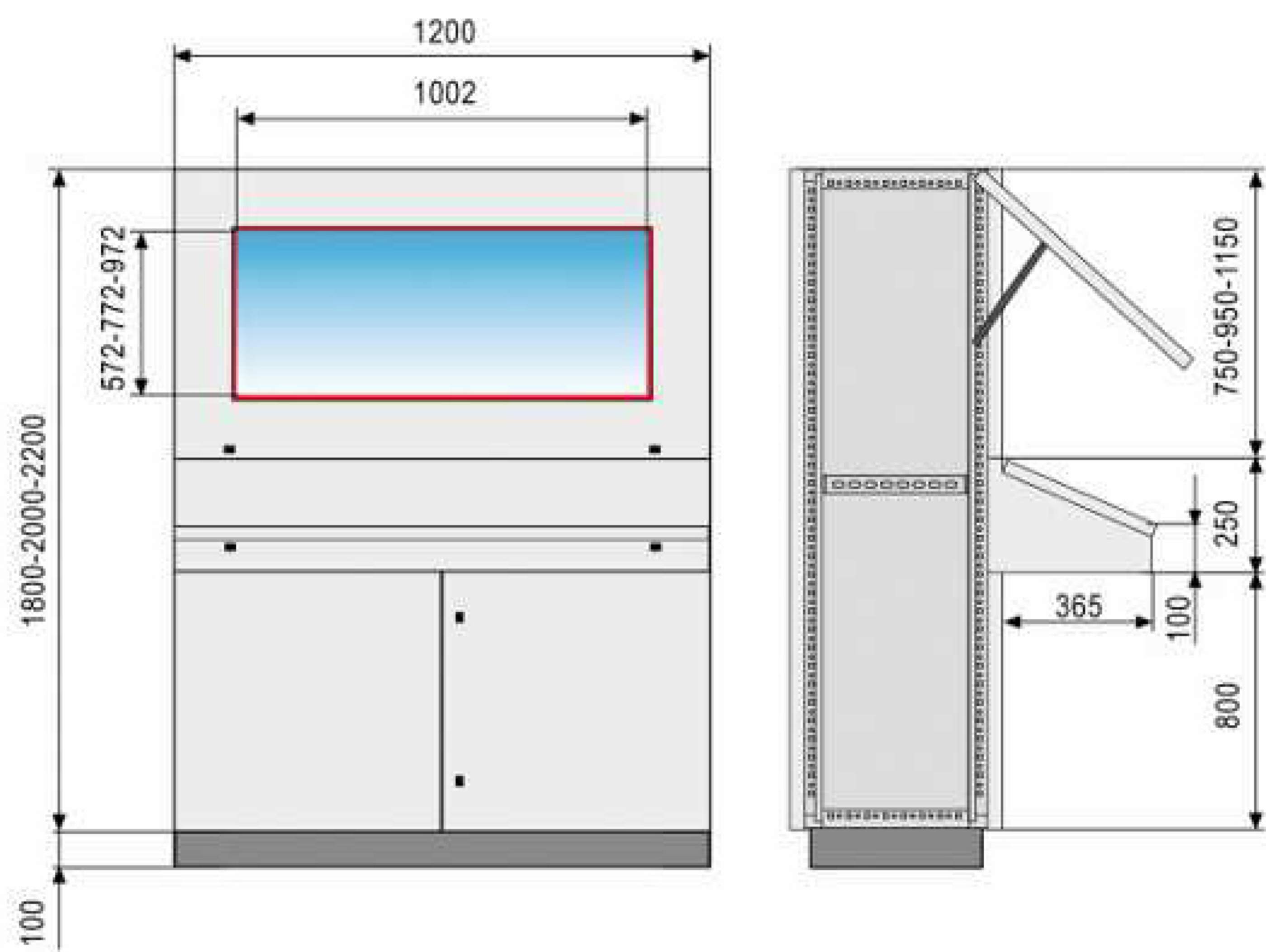


LV version

Tempered and silk-screen printed crystal
(4 mm thickness)



The upper panel is hinged with opening facing upwards and steel strut



All dimensions are shown in millimetres
We have all sizes by request.



CONTROLLER PANEL

لوحة تحكم

Stacking

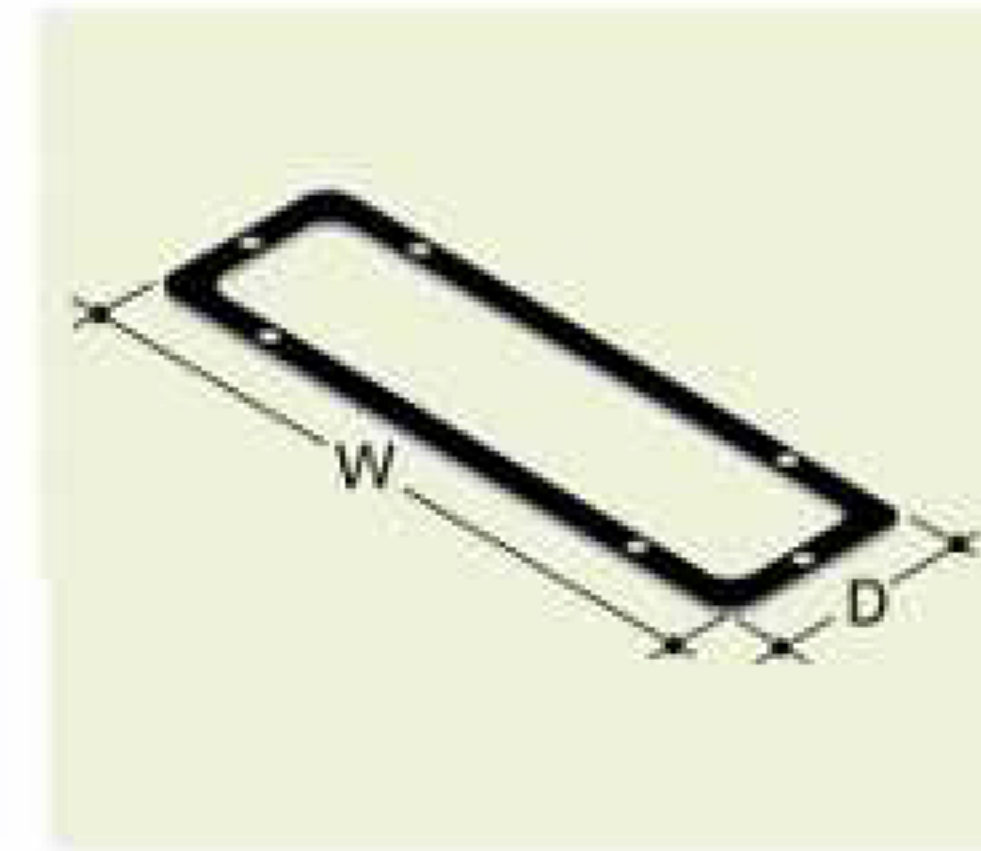
SR enclosures can be stacked achieving various height combinations (19 in all) to a maximum height of 2000 mm. Glazed doors can be stacked with blind doors indiscriminately. To stack, simply remove the gland plates and insert the IP55 gasket in closed cell neoprene (GZ...).

The stacked enclosures are mounted using the same holes and small parts used for the gland plates. The enclosures can also be floor-mounted using plinths (ZA...).



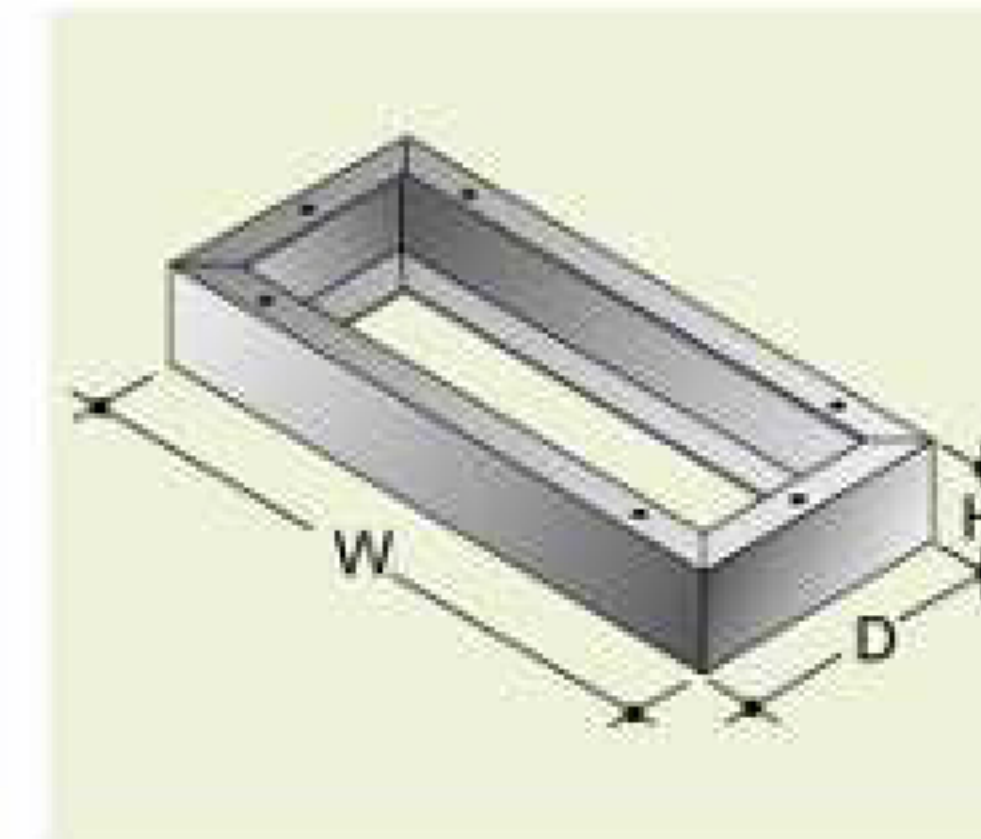
W (mm)	D (mm)	H1 (mm)	H2 (mm)	H total (mm)
400	200	400	400	800
400	200	400	500	900
400	200	400	600	1000
400	200	500	500	1000
400	200	500	600	1100
400	200	600	600	1200
400	250	500	500	1000
400	250	500	600	1100
400	250	600	600	1200
600	250	600	600	1200
600	250	600	800	1400
600	250	600	1000	1600
600	250	800	800	1600
600	250	800	1000	1800
600	250	1000	1000	2000
600	300	800	800	1600
600	300	800	1000	1800
600	300	800	1200	2000
600	300	1000	1000	2000

Stacking accessories



IP65 Gasket

W (mm)	D (mm)
400	200
400	250
600	250
600	300
800	300



Plinth

W (mm)	D (mm)	H (mm)
400	200	100
400	250	100
600	250	100
600	300	100
800	300	100

We have all sizes by request.



WALL UNIT

وحدة حائط

General characteristics and application



Construction

SR enclosures are manufactured from plain sheet to finished product using an advanced, patented production process. The automated process minimises the number of bending and soldering operations minimizing raw material scrap.



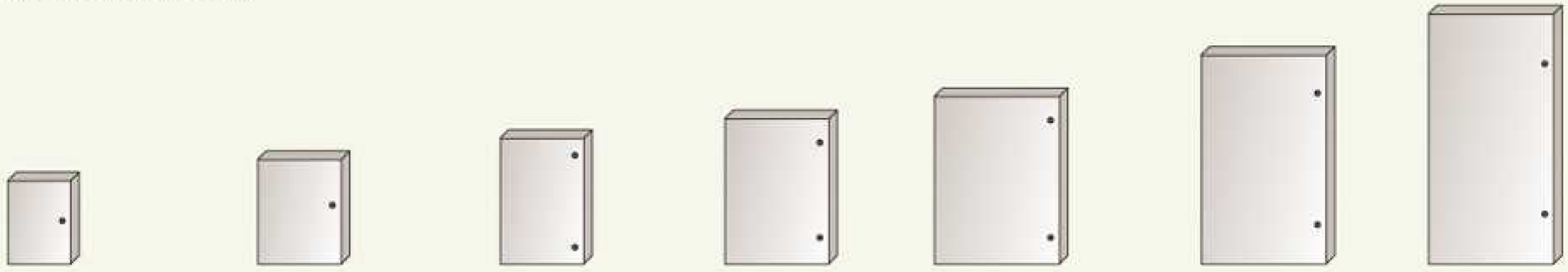


WALL UNIT

وحدة حائط

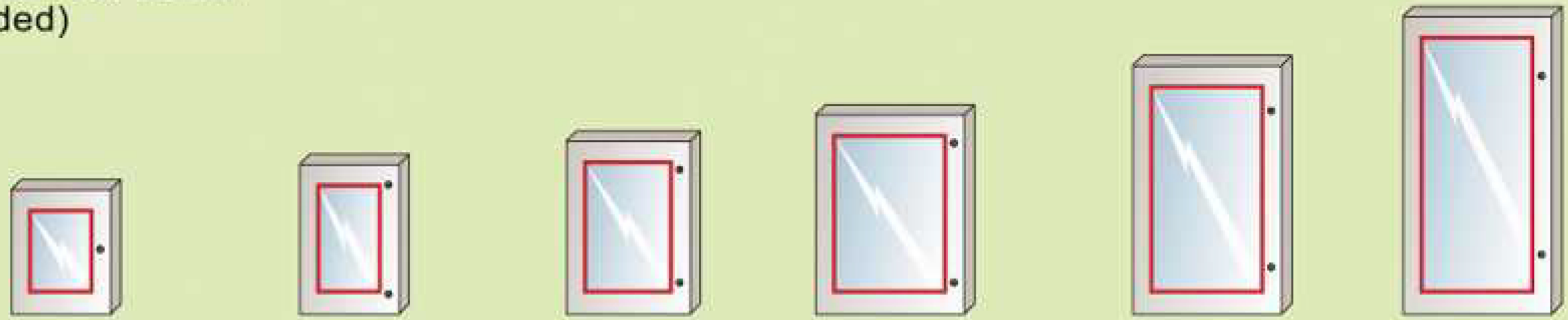
Selection and ordering criteria

Enclosures with blind door (mounting plate included)



400				500			600			700		800			1000			1200		
400	400	400	400	500	500	500	600	600	600	700	700	800	800	800	1000	1000	1000	1200	1200	1200
300	300	400	600	300	400	400	400	400	600	500	500	600	600	800	600	600	800	600	800	800
150	200	200	200	200	200	250	200	250	250	200	250	250	300	300	250	300	300	300	300	350

Enclosures with glazed door (mounting plate not included)



				500		600		700		800		1000			1200		
				500	500	600	600	700	700	800	800	1000	1000	1000	1200	1200	1200
				400	400	400	400	500	500	600	600	600	600	800	600	800	800
				200	250	200	250	200	250	250	300	250	300	300	300	300	350



WALL UNIT

وحدة حائط

Construction characteristics



Zinc plated mounting plate (1.25 mm gauge) which allows threaded holes to be easily made. Supports with small parts included. Depth adjustable using a spacer kit (ordered separately).



Accessories (e.g. cable channels) can be easily fixed inside the blind door with inner rails.



Steel plate inner door (1.25 mm gauge) galvanised.



Wall mounting is possible with bracket kit.



Steel plate inner door (1.25 mm gauge) galvanised.





PATCH PANELS

لوحة تجميع شبكة مركزية



U-N W342

Dimensions mm			U	Mounting position
Width	Height	Depth		
342	255	280	4	horizontal
342	390	280	8	horizontal
342	490	400	6	vertical



U-N W350

Dimensions mm			U ½ 19"	U 19"
Width	Height	Depth		
350	500	350	10	5



U-N W600

Dimensions mm			U
Width	Height	Depth	
600	380	350	8
600	600	350	13
600	760	350	16



U-N D573. 3-part, pre-configured, depth 573

Dimensions mm			U
Width	Height	Depth	
600	478	572.5	9
600	746	572.5	15
600	1012	572.5	21

¹⁾ Extended delivery times.

Additional features of the pre-configured wall-mounted enclosure:

Earth rail with star earthing, one outlet filter on both the left and right, 4wall mounting brackets..



U-N D473. 3-part, with punched rails, depth 473

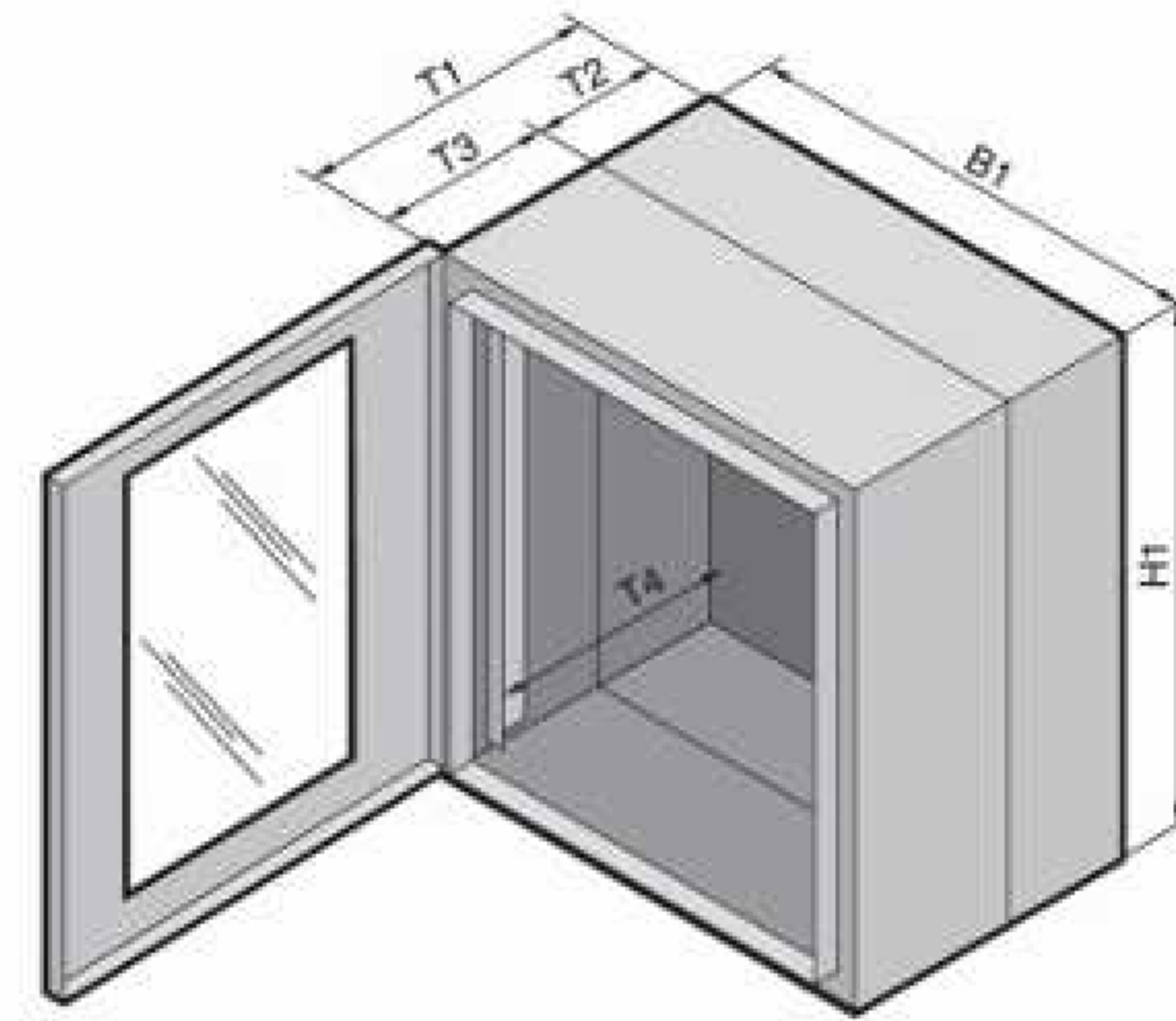
Dimensions mm			U
Width	Height	Depth	
600	345	472.5	6
600	478	472.5	9
600	612	472.5	12
600	746	472.5	15
600	878	472.5	18
600	1012	472.5	21

We have all sizes by request.



PATCH PANEL

لوحة تجميع شبكة مركزية



Material:

Wall and hinged part:
Sheet steel, 1.5 mm
Viewing window:
6 mm safety glass.

Colour:

Wall and hinged part spray-
finished in RAL 7035,
Glazed door.

Supply includes:

Wall section:
With vertical punched rails and
C rail mounted horizontally for
cable clamping, solid cable
gland plate top and bottom, wall
mounting bracket 10 mm.

On request, fitted ex works:

- ❖ Fully modified wall-mounted distributors.
- ❖ Special sizes:
(T = 373 mm, 573 mm)

U	6	9	12	15	18	21
Width (B1) in mm	600	600	600	600	600	600
Height (H1) in mm	345	478	612	746	878	1012
Depth (T1) in mm	472.5	472.5	472.5	472.5	472.5	472.5
Depth of wall section (T2) mm	135	135	135	135	135	135
Depth of hinged part (T3) mm	316	316	316	316	316	316
Maximum installation depth (T4) mm	420	420	420	420	420	420

We have all sizes by request.



وطن الكهرباء للصناعات الكهربائية



العنوان: العاشر من رمضان

المنطقة الصناعية 6c القطعة رقم 42

عنوان المعرض:

الاردنية المشروع الاستثماري

عمارة 4 محل 9

